



PRAN ELECTRONICS PVT. LTD.

52, GIDC, Makarpura, Vadodara - 390 010. India.
Phone : +91 - 265 - 263 2916, 263 5920 Fax : + 91 - 265 - 263 5918
E-mail : info@pranelectronics.com Web : www.pranelectronics.com

AN ISO 9001:2000 COMPANY

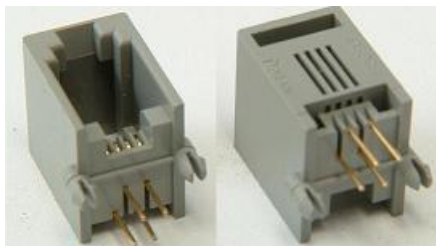
Modular Jack 616A: RoHS Compliant Rev.00 date 28/01/2006

Detail specifications and test conditions

Description: PCB Mounting Modular Jack

Code: JP-616A-4P4C

Gold Plating: Standard 3u” Options: 6, 15, 30 or 50u”



Sr. No.	Item	Test Conditions	Criteria
ELECTRICAL SPECIFICATONS			
1.	Contact Resistance	Voltage drop Method 5 VDC, 10mA	40 milli Ohms Maximum
2.	Proof Voltage	1000 VAC Duration: 1 Minute	No breakdown
3.	Insulation Resistance	500 VDC Duration: 1 Minute	100 Mega Ohms Minimum
MATERIAL SPECIFICATONS			
4.	Housing	ABS, Grey Colour	UL 94V2
5.	Contact Material	Phosphor Bronze	0.46 dia. +/- 0.01mm
6.	Contact Plating	3u” standard, higher plating optional	Gold Plating
MECHANICAL SPECIFICATIONS			
7.	Mating Force	4 Contacts 500 Grams	500 Grams
8.	Retention Force	Between Jack and Plug	7.7 Kgs.
ENDURANCE SPECIFICATION			
9.	Operating Life	5 VDC at 5 mA, resistive load Rate of operation: 2 to 3 operations per second Cycles of Operation: 600	Minimum 600 Cycles



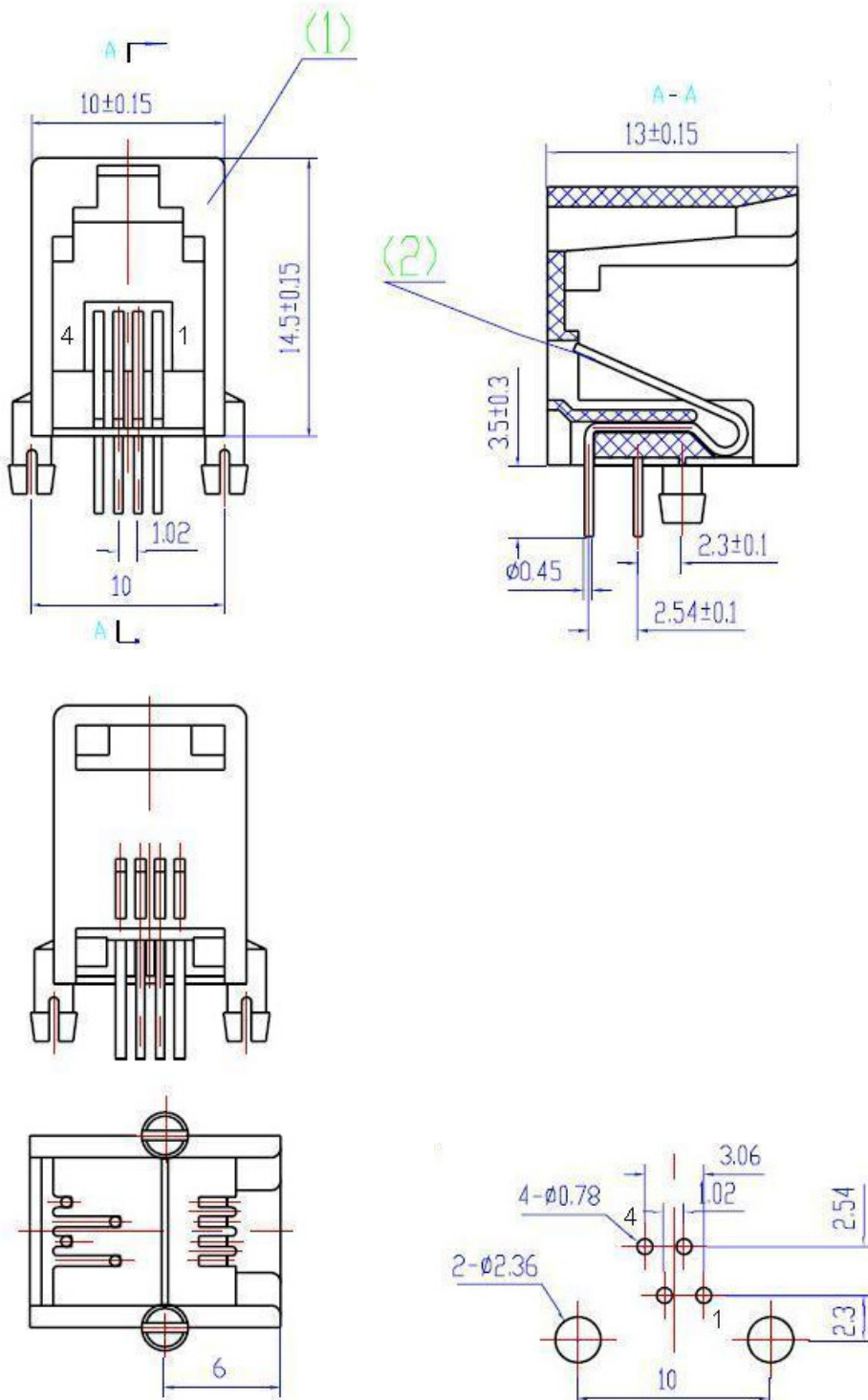
PRAN ELECTRONICS PVT. LTD.

52, GIDC, Makarpura, Vadodara - 390 010. India.
Phone : +91 - 265 - 263 2916, 263 5920 Fax : + 91 - 265 - 263 5918
E-mail : info@pranelectronics.com Web : www.pranelectronics.com

AN ISO 9001:2000 COMPANY

**Modular Jack 616A:
Drawing:**

RoHS Compliant Rev.00 date 28/01/2006



Recommended PCB Layout